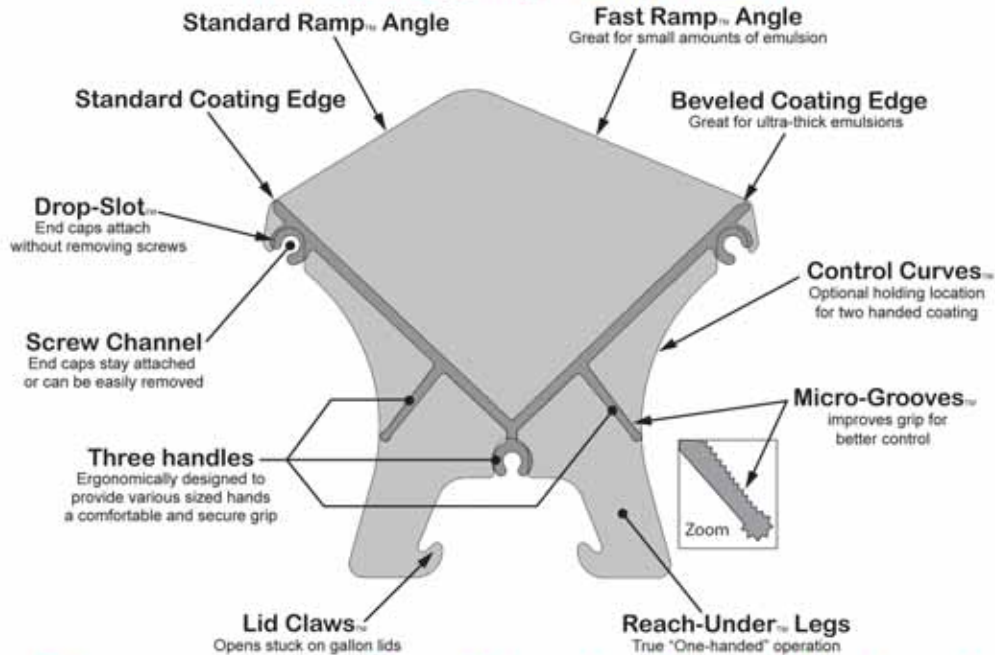
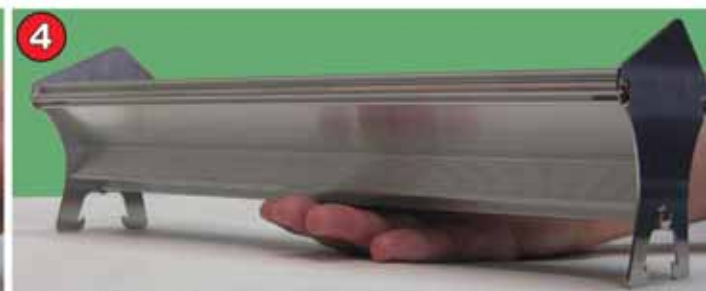
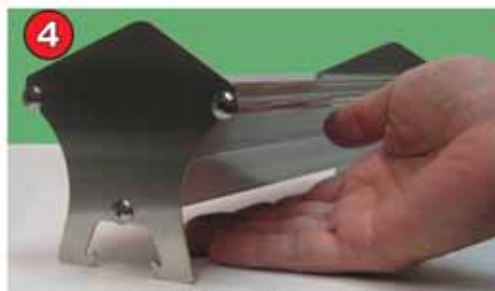
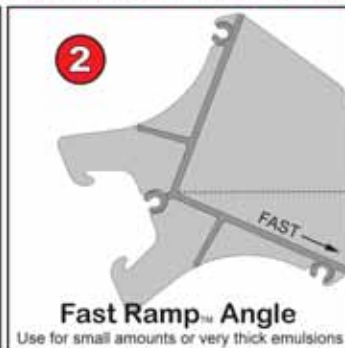
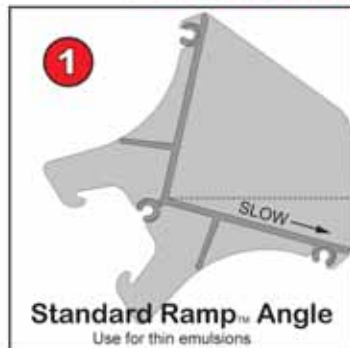


The Ultimate Monster-Max-Coater™

The "Do Everything" Scoop Coater



21 reasons make Monster-Max™ the best



Reach-Under™ Legs - Allows true *one-handed* operation.

5 Industry's first "adjustable end caps"

Threaded channels enable end caps to be held on with screws!

Adjust gap to .004" - .007" for reduced streaking.

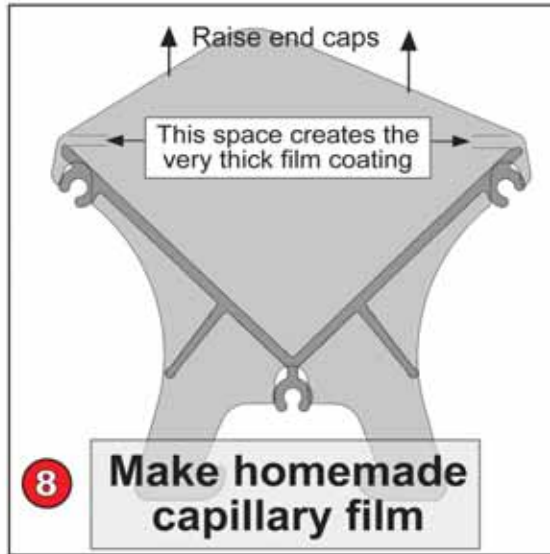


6 Drop Slot™ design

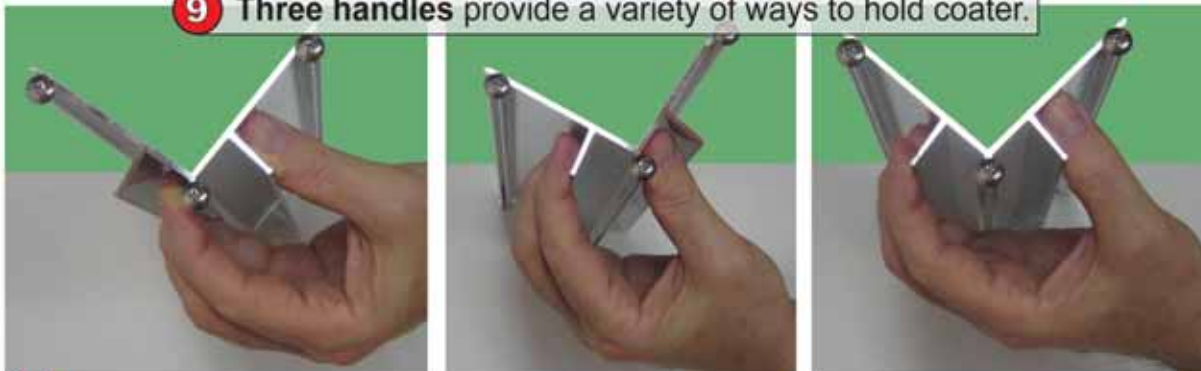
Simply loosen screws to adjust or install endcaps - Never fully remove screws.

7 No-Streak™ end cap design

When adjusted correctly very little streaking will occur along the sides of the coated image area.



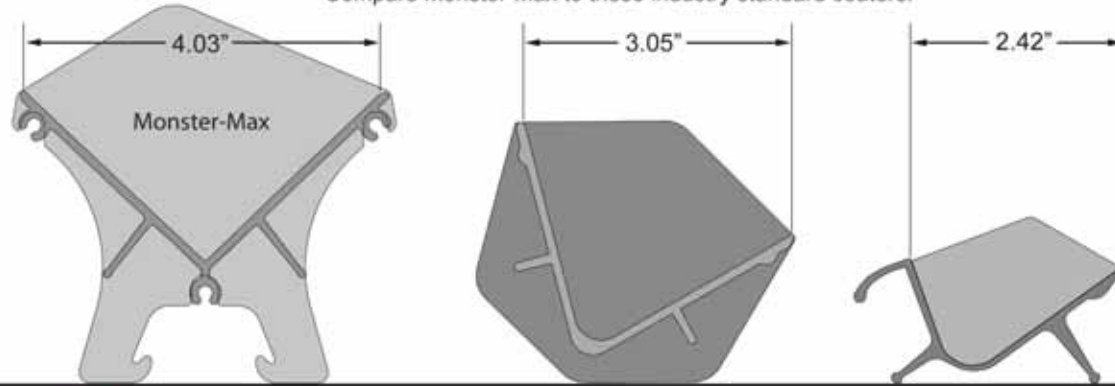
9 Three handles provide a variety of ways to hold coater.



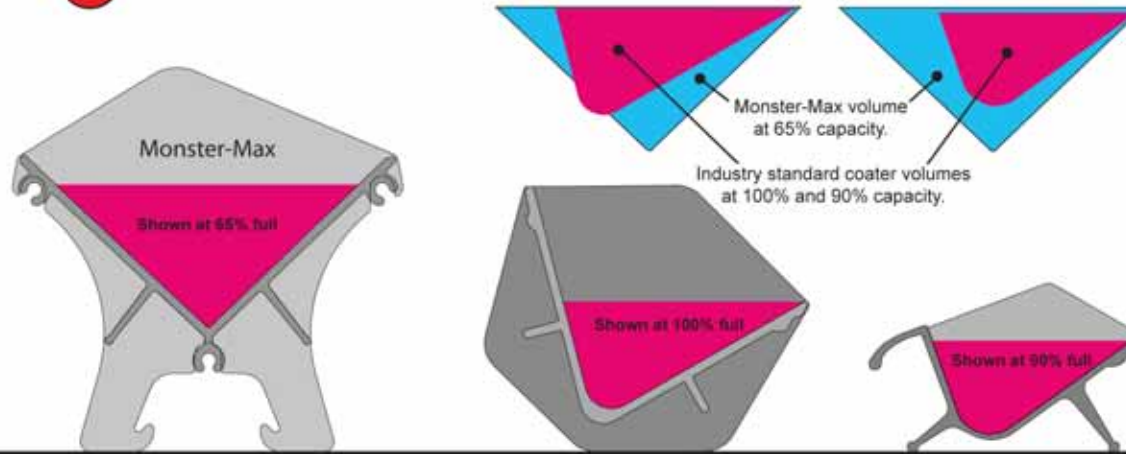
10 Extra-long, ergonomic handles provide a comfortable and secure grip regardless of hand size or coating style.

14 Wider opening - Allows emulsion to be poured into coater more easily without spilling.

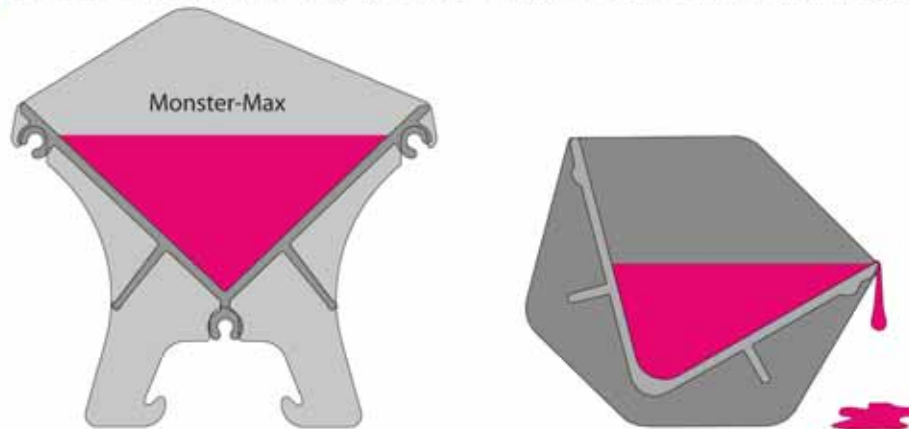
Compare Monster-Max to these industry standard coaters.



15 Holds more emulsion - Coat more screens before stopping to refill coater.



16 Stands up straight - Say "goodbye" to spills and mess from overflowing coaters.

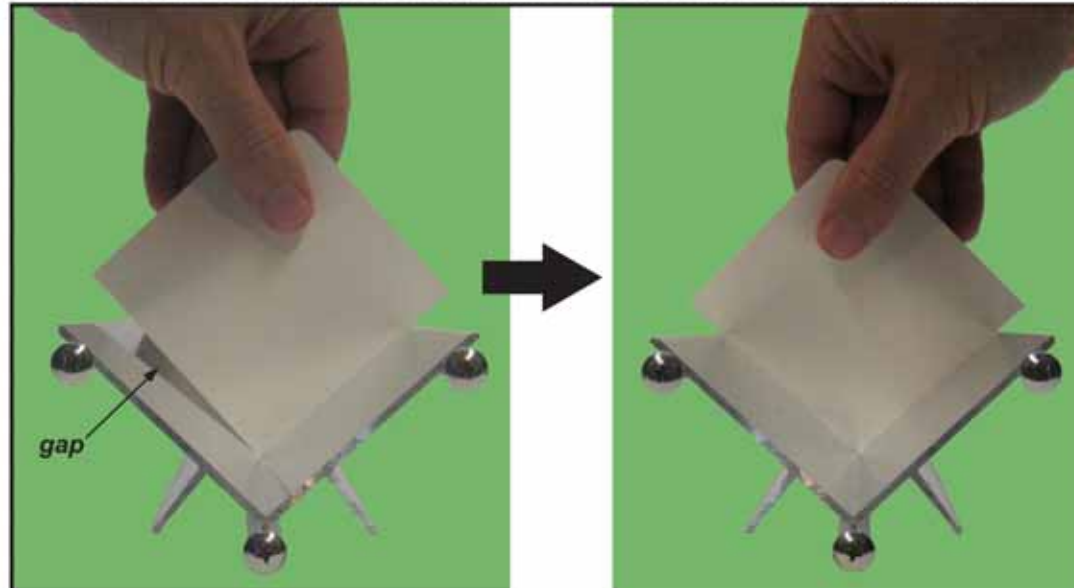


Easy-Clean design

17 The bottom of the trowel is a sharp right angle.

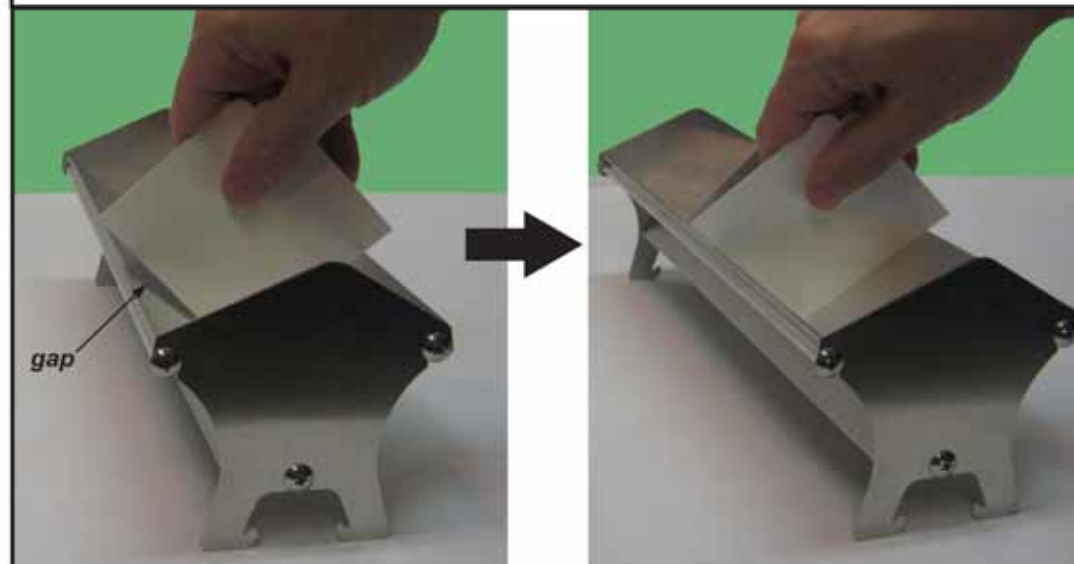
18 The coater walls are wider than 90 degrees.

This allows a card to clean the entire coater in a single pass!



1. Insert an Ultimate Clean-Up-Card.
(notice small gap)

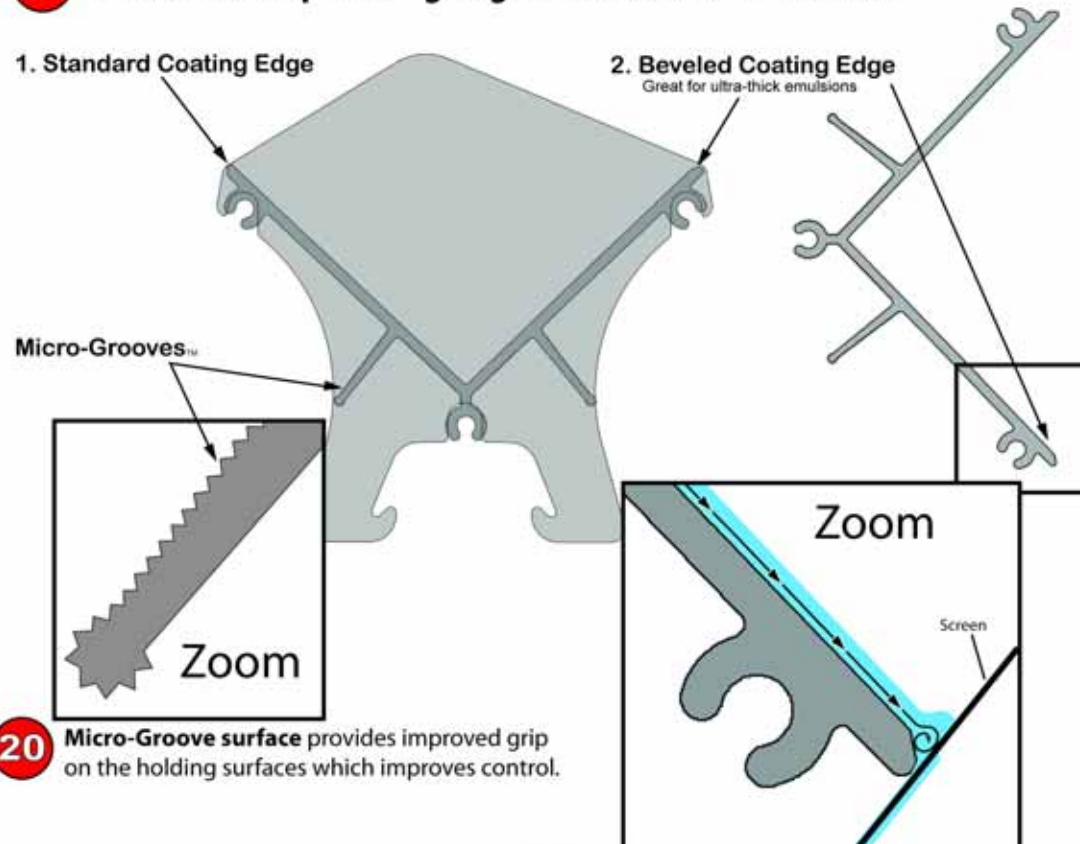
2. Tilt card a few degrees for a perfect fit.
3. Clean entire coater in a single pass!



1. Insert an Ultimate Clean-Up-Card
(notice small gap)

2. Tilt card a few degrees for a perfect fit
3. Clean entire coater in a single pass!

19 Two semi-sharp coating edges doubles the life of coater.



20 Micro-Groove surface provides improved grip on the holding surfaces which improves control.

21 Unique Beveled Coating Edge changes the hydraulic pressure of the emulsion which pushes a greater amount of emulsion through the screen mesh.

Bonus features:

Made in USA
100% metal construction
Easy-ship, (5) panel box
Control Curves™ - optional holding location
Built-in bottle cap opener